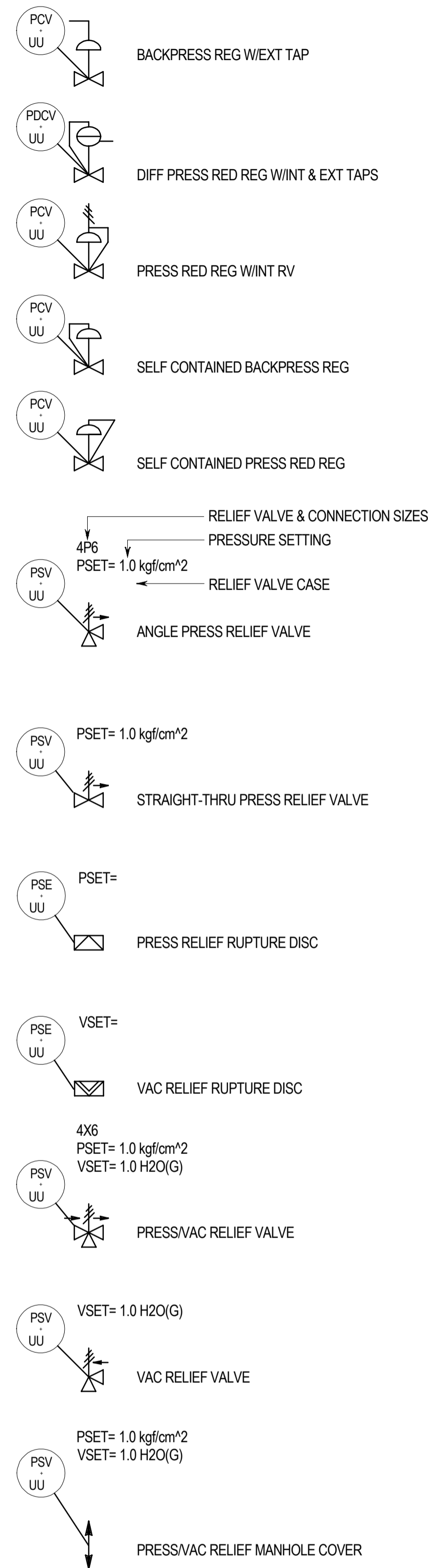
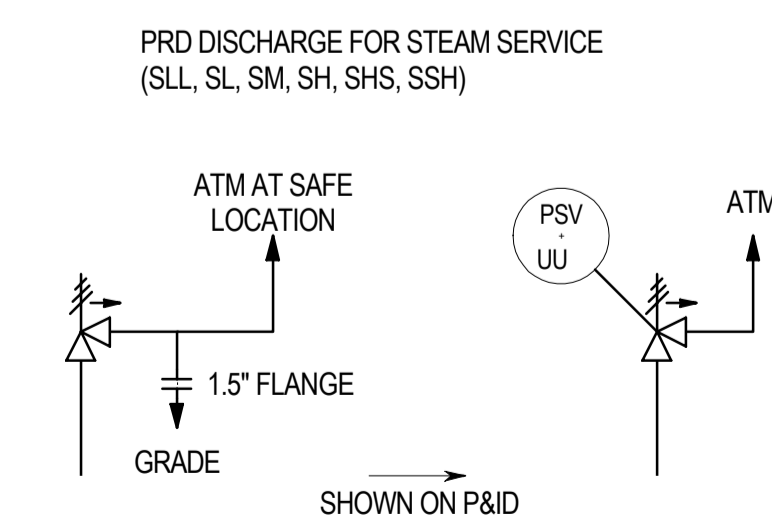


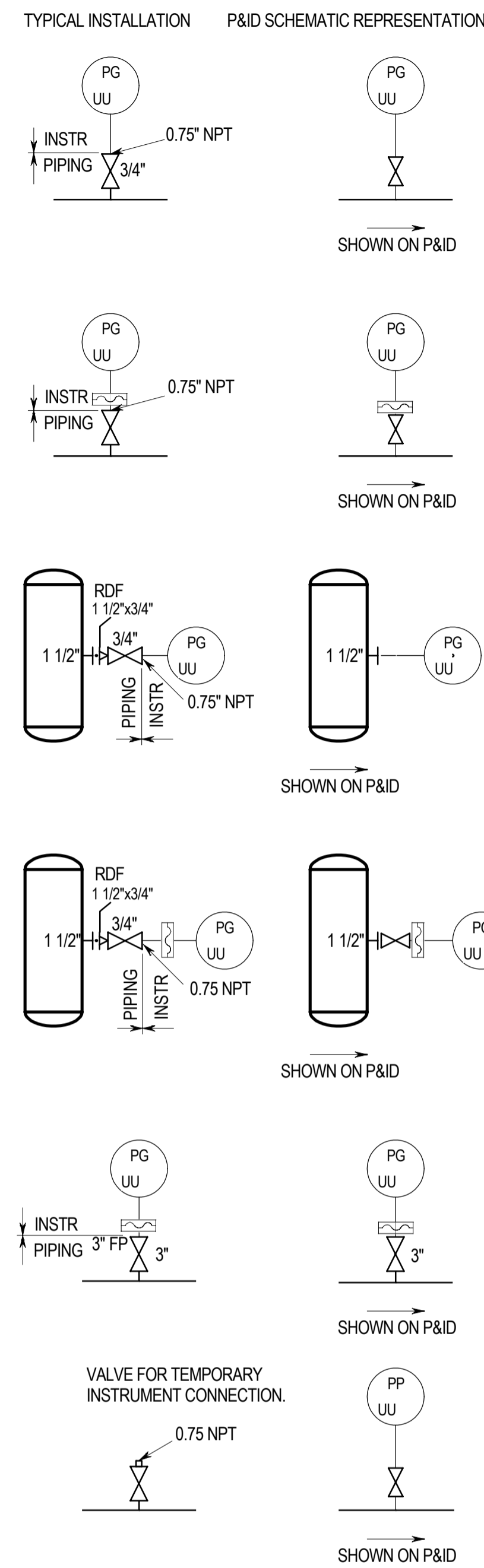
PRESSURE



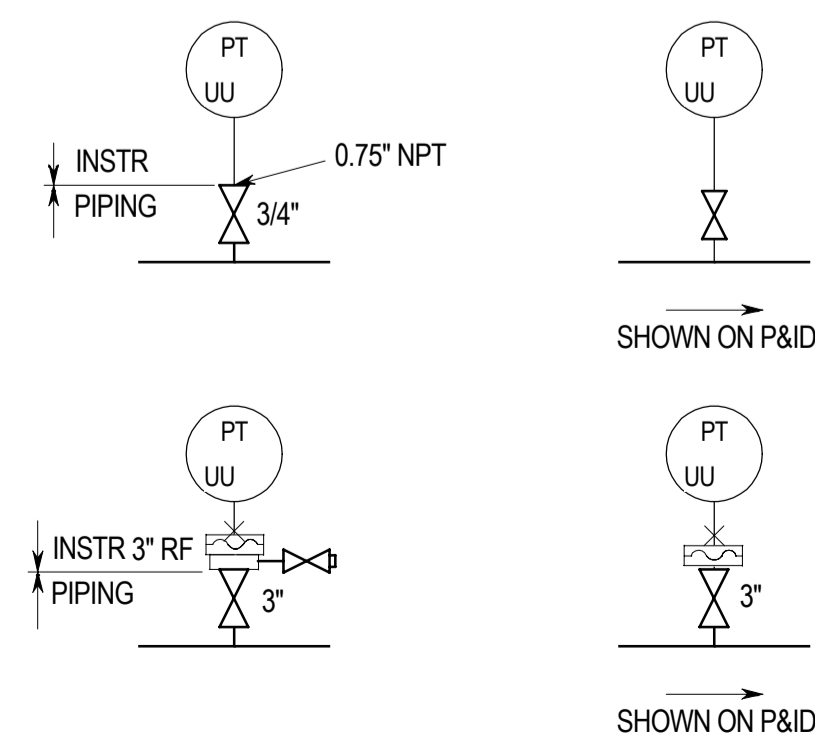
RELIEF VALVE



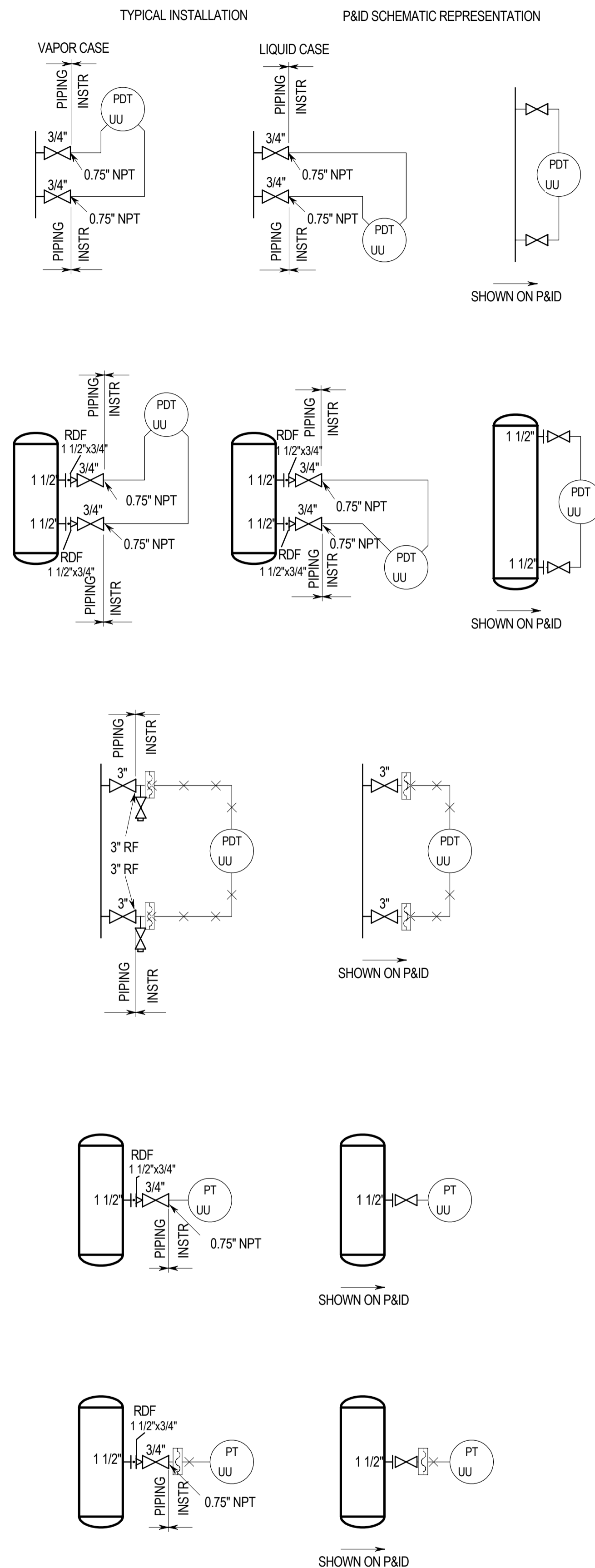
PRESSURE INDICATION



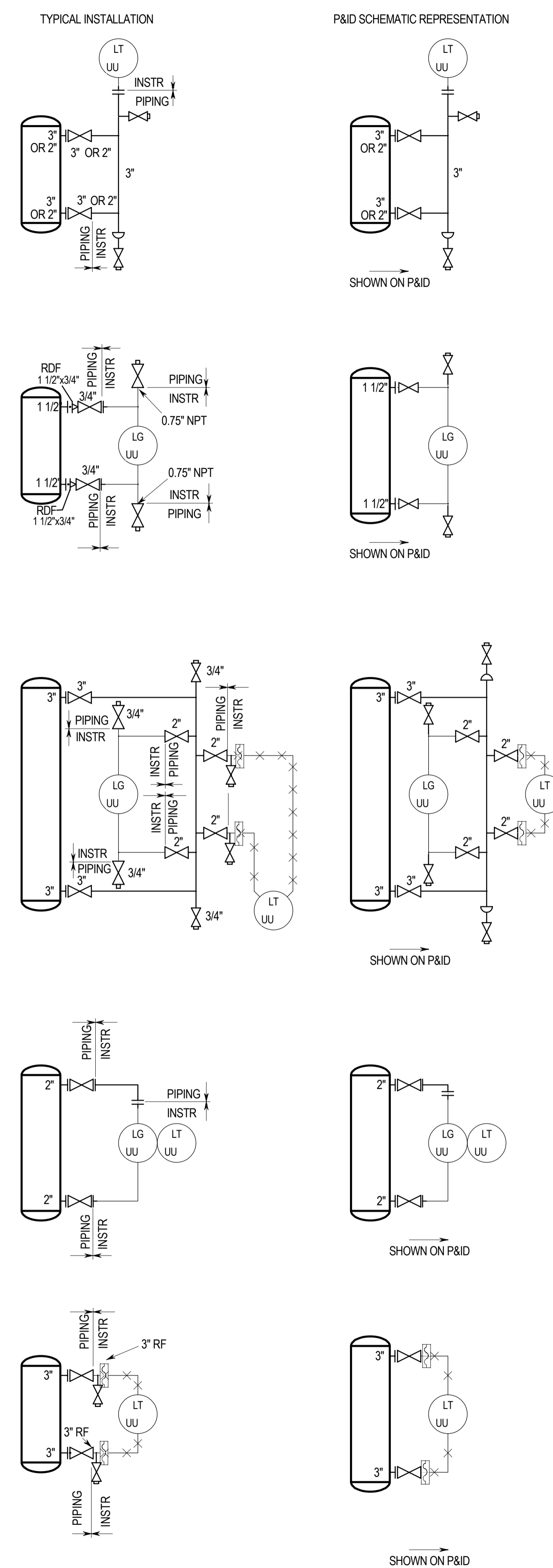
PRESSURE SWITCH/TRANSMITTER



DIFFERENTIAL PRESSURE TRANSMITTER



LEVEL INDICATION



NOTES:

| | | | | | | | |
|-----|-----------|------------------|----|-----|-----|-----|----|
| REV | DATE | DESCRIPTION | BY | CHK | ENG | PEM | PM |
| A | 26-Jul-12 | ISSUE FOR REVIEW | | | | | |



CLIENT/PROJECT TITLE
WORLEYPARSONS MIMOSA

PROJECT NO.

PIPING AND INSTRUMENT DIAGRAM
LEGEND SHEET
INSTRUMENT SYMBOLS SHEET 2

SCALE
NONE

DWG. NO.
LEGEND-006

REVISION
A

NOTE: THIS DRAWING AND THE DATA CONTAINED HEREIN ARE OF A CONFIDENTIAL NATURE AND ARE THE PROPERTY OF WORLEYPARSONS. NO REPRODUCTION OR DISTRIBUTION OF THE ORIGINAL OR COPIES SHALL REQUIRE WRITTEN PERMISSION FROM THE DRAWING OWNER.